

PARTS ORDER

BaldwinPines, Inc.
 224 McLemore Pvt. Dr.
 Somerville, AL 35670
 Phone: 256-797-4283
 Fax: 256-498-0469

Customer Name:	Date:
Customer Address:	Customer email Address:
Phone number:	Original Purchase Date & Who Purchased From:

Please refer to the attached sheets to choose the product, part #, price and shipping cost and total them here.

Product	Part #	Part Name	Quantity	Price	Shipping Cost
		Subtotal			
		Total			

Payment Method:

Visa
 MasterCard
 American Express
 Discover
 Paypal

Name on Card: _____

Billing Address: _____

City: _____

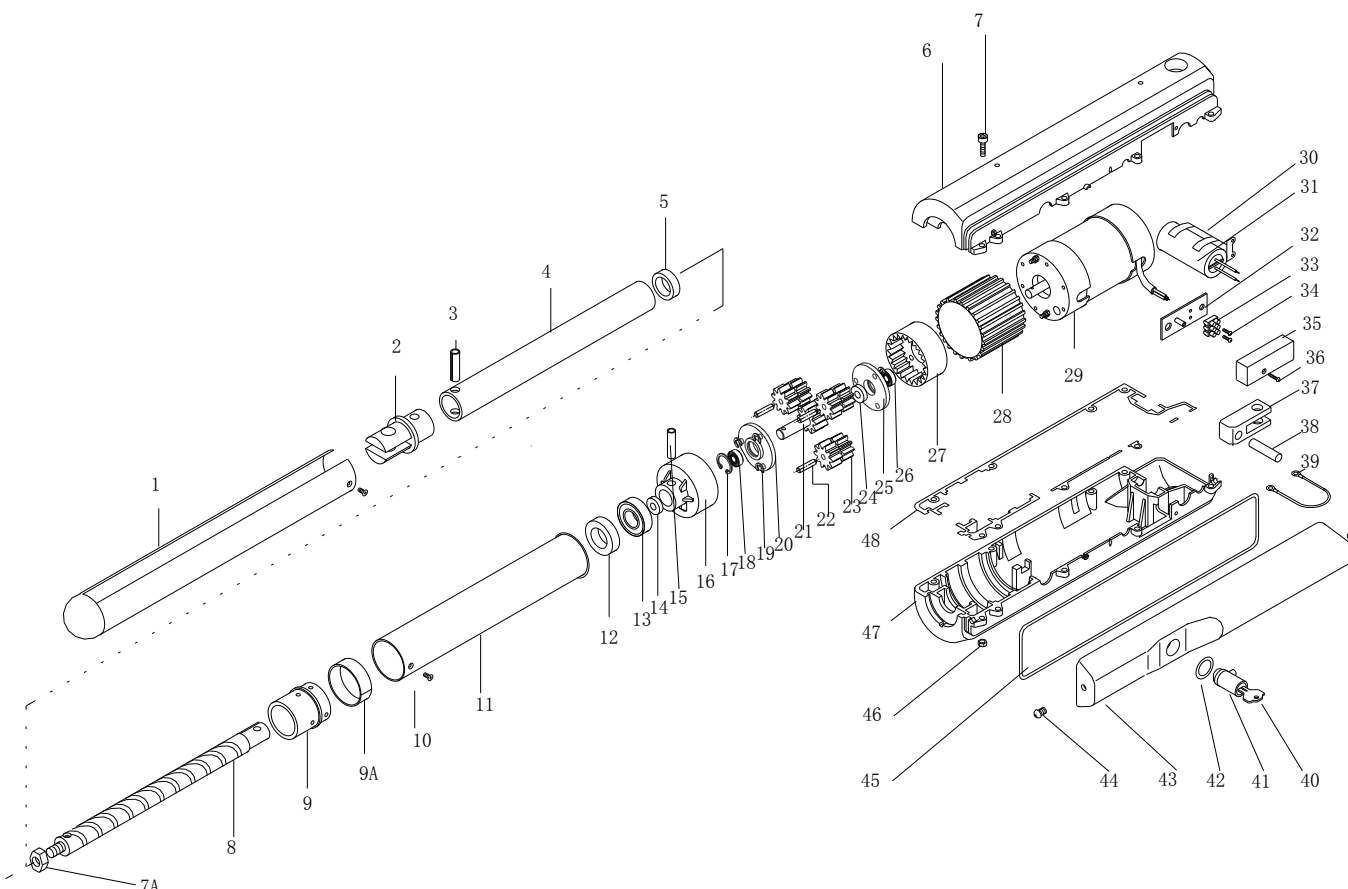
State: ____

Zip: _____

Card# _____ Exp Mo: ____ Yr: ____ CVV ____

Please return completed form via email to: sales@baldwinpines.com or fax to: (256) 498-0469. Thank you for your cooperation and your business.

Product	Part #/ Name	Price	Shipping Cost
YG-150 or 200	1. Hood pipe	\$20	\$5
YG-150 or 200	2. End joint	\$20	\$5
YG-150 or 200	3. Pin 10x40	\$5	\$1
YG-150 or 200	4. Steel tube	\$50	\$5
YG-150 or 200	5. Small support ring	\$10	\$5
YG-150 or 200	6. Right housing	\$25	\$5
YG-150 or 200	7. Screw M5x20	\$1	\$0.50
YG-150 or 200	7A. Locknut	\$1	\$0.50
YG-150 or 200	8. Screw shaft	\$50	\$10
YG-150 or 200	9. Connecting sleeve	\$10	\$5
YG-150 or 200	9A. Split ring	\$5	\$1
YG-150 or 200	10. Tapping screw	\$1	\$0.50
YG-150 or 200	11. Outer tube	\$20	\$5
YG-150 or 200	12. Large support ring	n/a	
YG-150 or 200	13. Bearing 6004	\$50	\$5
YG-150 or 200	14. 27T spindle sleeve	\$5	\$1
YG-150 or 200	15. Pin 8x35	\$5	\$1
YG-150 or 200	16. 27T ring gear	\$50	\$5
YG-150 or 200	17. Elastic damping ring	17-26 sold as	
YG-150 or 200	18. Bearing 61800	Central gear	
YG-150 or 200	19. Split washer	Assembly	
YG-150 or 200	20. 27T planet carrier	n/a	
YG-150 or 200	21. Central gear	\$20	\$5
YG-150 or 200	22. Planetary Spindle	\$5	\$1
YG-150 or 200	23. Planetary gear	\$20	\$5
YG-150 or 200	24. Bearing	n/a	
YG-150 or 200	25. 24T planet carrier	n/a	
YG-150 or 200	26. Bearing 618/7	n/a	
YG-150 or 200	27. 24T ring gear	\$150	\$10
YG-150 or 200	28. Locating shield	\$50	\$5
YG-150 or 200	29. Motor	\$100	\$20
YG-150 or 200	30. Capacitor bracket	n/a	
YG-150 or 200	31. Capacitor	n/a	
YG-150 or 200	32. Wiring base	\$25	\$5
YG-150 or 200	33. Wiring terminal	\$25	\$5
YG-150 or 200	34. Screw M4x8	\$1	\$0.50
YG-150 or 200	35. Wiring cover	\$5	\$1
YG-150 or 200	36. Tapping screw	\$1	\$0.50
YG-150 or 200	37. Joint block	\$5	\$1
YG-150 or 200	38. Axle pin	\$5	\$1
YG-150 or 200	39. Earth wire	\$5	\$1
YG-150 or 200	40. Release key	Sold With Lock	
YG-150 or 200	41. Lock	\$25	\$5
YG-150 or 200	42. Seal 17x2.65	\$1	\$0.50
YG-150 or 200	43. Upper cover	\$25	\$5
YG-150 or 200	44. Screw ST4.2x9.5	\$1	\$0.50
YG-150 or 200	45. Waterproof seal	\$10	\$2
YG-150 or 200	46. Hexagonal nut	\$1	\$0.50
YG-150 or 200	47. Left housing	\$25	\$5
YG-150 or 200	48. Waterproof seal	\$10	\$5
YG-150 or 200	Additional Remotes	\$25	\$5
YG-150 or 200	Control Board	\$89.99	\$10
YG-150 or 200	Control Box w/board	\$149.99	\$10



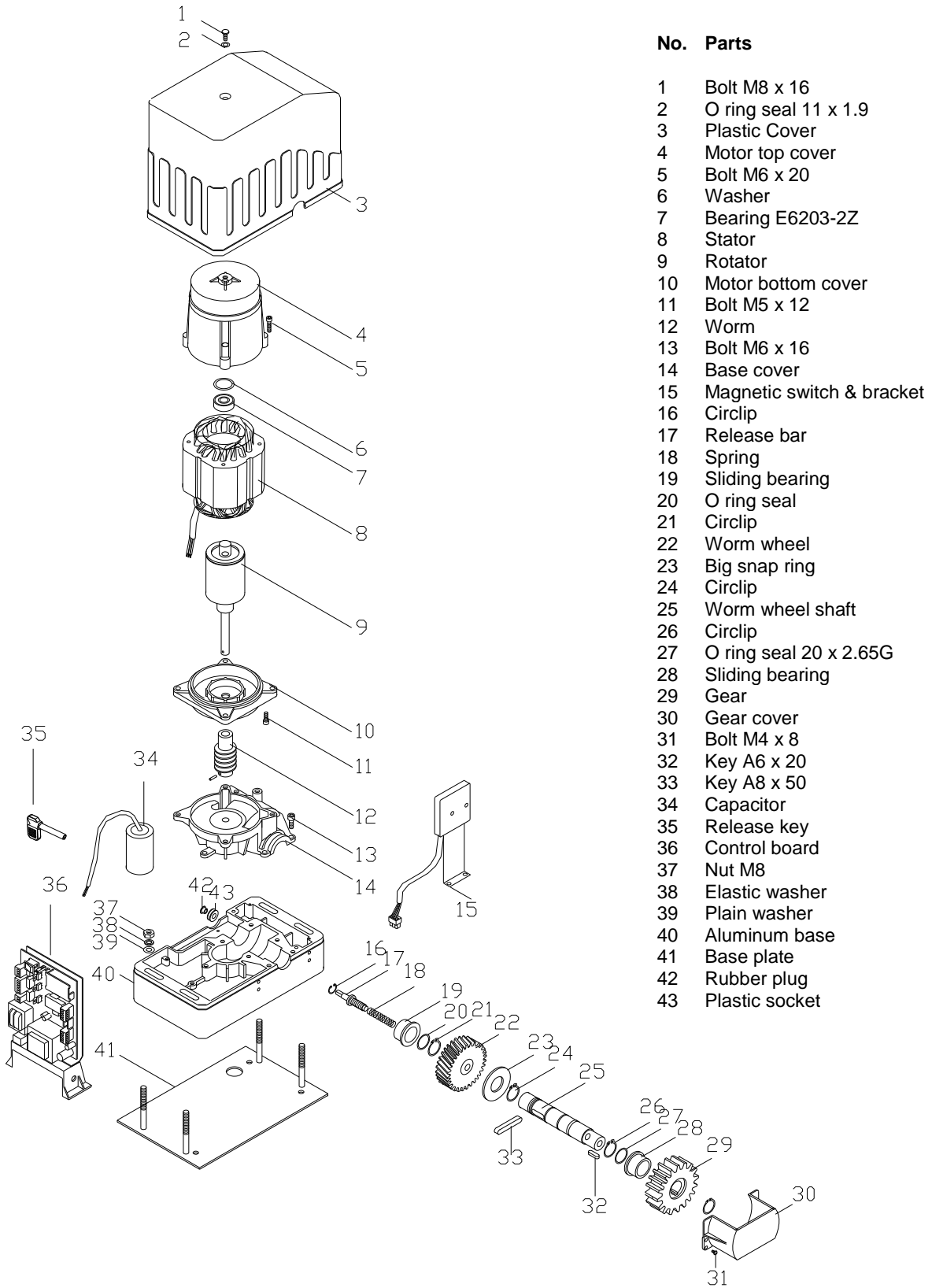
- | | |
|--------------------------|------------------------|
| 1. Hood pipe | 24. Bearing |
| 2. End joint | 25. 24T planet carrier |
| 3. Pin 10x40 | 26. Bearing 618/7 |
| 4. Steel tube | 27. 24T ring gear |
| 5. Small support ring | 28. Locating shield |
| 6. Right housing | 29. Motor |
| 7. Screw M5x20 | 30. Capacitor bracket |
| 7A. Locknut | 31. Capacitor |
| 8. Screw shaft | 32. Wiring base |
| 9. Connecting sleeve | 33. Wiring terminal |
| 9A. Split ring | 34. Screw M4x8 |
| 10. Tapping screw | 35. Wiring cover |
| 11. Outer tube | 36. Tapping screw |
| 12. Large support ring | 37. Joint block |
| 13. Bearing 6004 | 38. Axle pin |
| 14. 27T spindle sleeve | 39. Earth wire |
| 15. Pin 8x35 | 40. Release key |
| 16. 27T ring gear | 41. Lock |
| 17. Elastic damping ring | 42. Seal 17x2.65 |
| 18. Bearing 61800 | 43. Upper cover |
| 19. Split washer | 44. Screw ST4.2x9.5 |
| 20. 27T planet carrier | 45. Waterproof seal |
| 21. Central gear | 46. Hexagonal nut |
| 22. Planetary Spindle | 47. Left housing |
| 23. Planetary gear | 48. Waterproof seal |

Product	Part #/ Name	Price	Shipping Cost
SKC-500U	1. Bolt M8x16	\$5	\$5
SKC-500U	2. O-Ring Seal 11x1.9	\$1	\$1
SKC-500U	3. Plastic Cover	\$50	\$5
SKC-500U	4. Motor Top Cover	\$20	\$5
SKC-500U	5. Bolt M6x20	\$5	\$5
SKC-500U	6. Washer	\$1	\$5
SKC-500U	7. Bearing E6203-2Z	\$5	\$1
SKC-500U	8. Stator	\$50	\$10
SKC-500U	9. Rotator	\$50	\$10
SKC-500U	10. Motor Bottom Cover	\$50	\$10
SKC-500U	11. Bolt M5x12	\$1	\$1
SKC-500U	12. Worm	\$50	\$10
SKC-500U	13. Bolt M6x16	\$1	\$1
SKC-500U	14. Base Cover	\$50	\$10
SKC-500U	15. Magnetic Switch&Bracket	\$50	\$10
SKC-500U	16. Circlip	\$50	\$5
SKC-500U	17. Release Bar	\$50	\$10
SKC-500U	18. Spring	\$10	\$5
SKC-500U	19. Sliding Bearing	\$10	\$5
SKC-500U	20. O Ring Seal	\$5	\$1
SKC-500U	21. Circlip	\$1	\$1
SKC-500U	22. Worm Wheel	\$50	\$10
SKC-500U	23. Big Snap Ring	\$5	\$1
SKC-500U	24. Bearing	\$10	\$5
SKC-500U	25. Worm Wheel Shaft	\$50	\$10
SKC-500U	26. Circlip	\$1	\$1
SKC-500U	27. O Ring Seal 20x2.65G	\$5	\$1
SKC-500U	28. Sliding Bearing	\$10	\$5
SKC-500U	29. Gear	\$50	\$10
SKC-500U	30. Gear Cover	\$25	\$5
SKC-500U	31. Bolt M4x8	\$1	\$1
SKC-500U	32. Key A6x20	\$1	\$1
SKC-500U	33. Key A8x20	\$1	\$1
SKC-500U	34. Capacitor	\$25	\$5
SKC-500U	35. Release Key	\$25	\$5
SKC-500U	36. Control Board	\$90	\$10
SKC-500U	37. Nut M8	\$1	\$1
SKC-500U	38. Elastic Washer	\$1	\$1
SKC-500U	39. Plain Washer	\$1	\$1
SKC-500U	40. Aluminum Base	\$50	\$10
SKC-500U	41. Base Plate	\$20	\$5
SKC-500U	42. Rubber Plug	\$1	\$1
SKC-500U	43. Plastic Socket	\$1	\$1

Repair Completion Date: _____

Repaired By: _____

500U/E EXPLODED VIEW



No.	Parts
1	Bolt M8 x 16
2	O ring seal 11 x 1.9
3	Plastic Cover
4	Motor top cover
5	Bolt M6 x 20
6	Washer
7	Bearing E6203-2Z
8	Stator
9	Rotator
10	Motor bottom cover
11	Bolt M5 x 12
12	Worm
13	Bolt M6 x 16
14	Base cover
15	Magnetic switch & bracket
16	Circlip
17	Release bar
18	Spring
19	Sliding bearing
20	O ring seal
21	Circlip
22	Worm wheel
23	Big snap ring
24	Circlip
25	Worm wheel shaft
26	Circlip
27	O ring seal 20 x 2.65G
28	Sliding bearing
29	Gear
30	Gear cover
31	Bolt M4 x 8
32	Key A6 x 20
33	Key A8 x 50
34	Capacitor
35	Release key
36	Control board
37	Nut M8
38	Elastic washer
39	Plain washer
40	Aluminum base
41	Base plate
42	Rubber plug
43	Plastic socket

Repair Completion Date: _____

Repaired By: _____